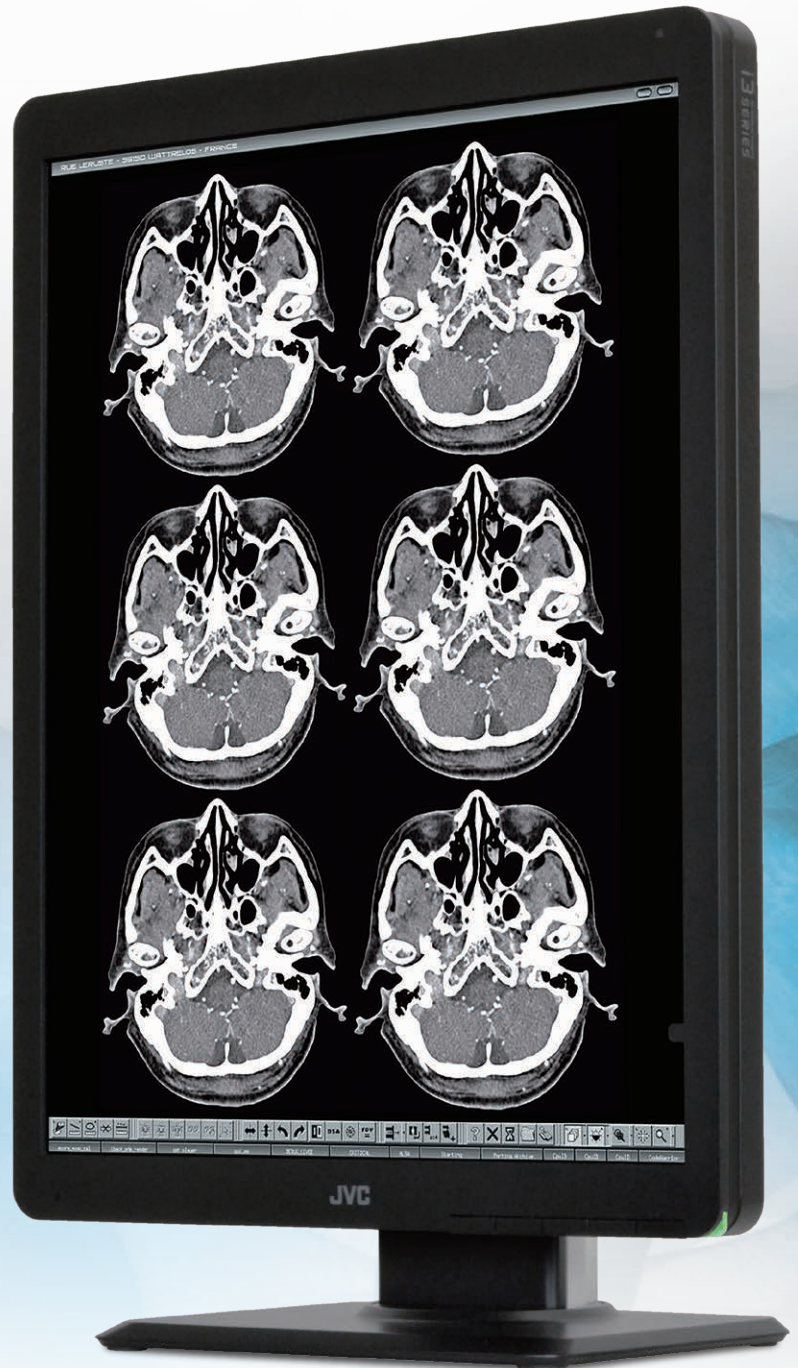


# JVC

2 Megapixel 21.3" Monochrome Monitor

# MS-S200

The gold standard in medical imaging



i3 for Medical Imaging  
SERIES

2MP

21.3"

1900  
cd/m<sup>2</sup>

1800:1

DisplayPort  
&  
DVI-D

Front  
Sensor

6MsP  
Drive

Uniformity  
Equalizer

DisplayPort  
Daisy  
Chains

Human  
Presence  
Sensor

LED  
Backlight

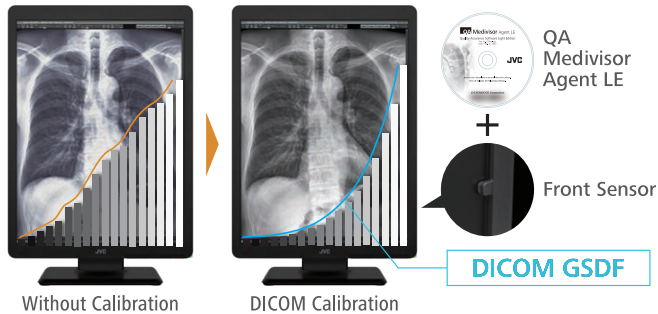
Protective  
Filter

# 2 Megapixel 21.3" Monochrome Monitor

## MS-S200

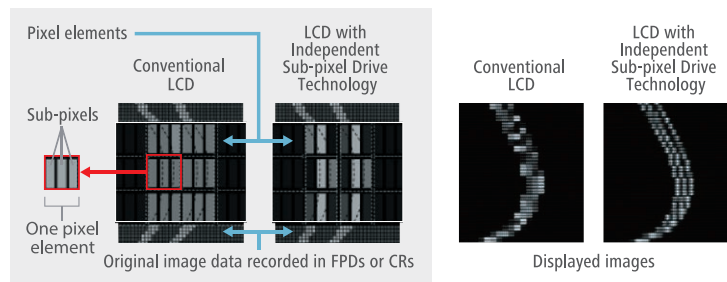
### Excellent Diagnostic Visibility

MS-S200 comes with 1800:1 contrast ratio to make it the best solution for diagnostic imaging of DR, CT and MRI etc. The brighter screen dramatically increases the number of perceptual grayscale steps to improve visibility of structures. Diagnostic reading will be much more efficient. One of its unique technologies the built-in sensor ensures that the monitor constantly performs at its best.



### Independent Sub-pixel Drive Technology

This unique technology enables MS-S200 to render 6 mega sub-pixel images, exceeding the current standards for primary diagnosis. This will be a cost-effective way of enhancing the ability of 2MP display. (Patent No.8, 259, 034B2)

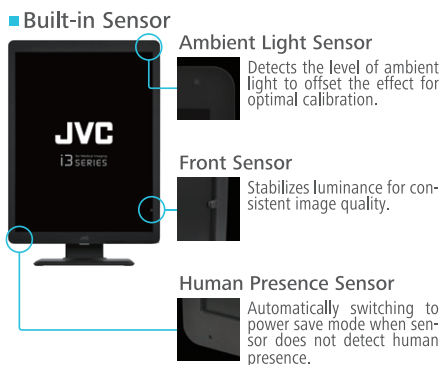


\*Customized viewer is required

\*Independent Sub-pixel Drive technology is built in MS series only

### Advanced Features

- Protective Filter
- LED Indicator / Front Buttons
- Built-in Sensor
- Space Saving
- Wire Management / DisplayPort Daisy Chains
- DICOM Conformance Check

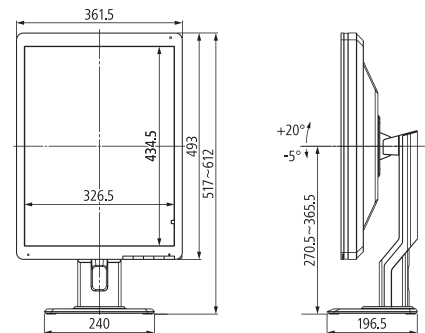


• "JVC" is a brand of medical and industrial monitors manufactured and sold by JVCKENWOOD Corporation. • Company names and product names are the registered trademarks of the respective companies. • Product specifications and appearance are subject to change without notice. • Colors in photographs may differ from actual colors due to the printing process. • Images on screens are simulated.

### Specifications

|                                 |  |  |
|---------------------------------|--|--|
| <b>Model Name</b>               | MS-S200BF : Protective Filter<br>MS-S200BN : No Protective Filter  |  |
| <b>LCD Panel</b>                | <b>Technology</b>  | 21.3" monochrome TFT IPS technology  |
|                                 | <b>Display Area</b>  | 324mm × 432mm  |
|                                 | <b>Pixel Pitch</b>   | 0.270m × 0.270mm   |
|                                 | <b>Maximum Luminance</b>   | 1900cd/m <sup>2</sup> (typ.)<br>500cd/m <sup>2</sup> (calibrated)  |
|                                 | <b>Contrast Ratio</b>  | 1800 : 1 (typ.)  |
| <b>Viewing Angle</b>            |  | 178° vertical and horizontal   |
|                                 | <b>Native Resolution</b>   | 1200 × 1600 (Independent Sub-pixel Drive technology ON : 1200 × 4800)  |
| <b>Visual Performance</b>       | <b>Display Colors</b>  | 256 shades of grayscale are simultaneously displayed from a palette of 16,369 grayscale steps<br>*1024 or 10-bit shades of grayscale with DisplayPort and 10-bit viewer<br>*1276 shades of grayscale by using Independent Sub-pixel Drive technology |
|                                 | <b>Interface</b>   | <b>Input Signal</b> DVI-D (DVI 1.0 compliant)<br>DisplayPort (DisplayPort 1.2a compliant)<br><b>Output Signal</b> DisplayPort (DisplayPort 1.2a compliant)<br><b>Plug and Play</b> DDC2B compliant   |
| <b>Input Power Supply</b>       | <b>Input Power Supply</b>  | 100V-240V / 50-60Hz  |
|                                 | <b>Power Consumption</b>   | 35W (typ.)   |
| <b>Features</b>                 | <b>Calibration Control</b>   | Luminance, Gamma<br>Capable of storing 3 sets of LUT (Optional Calibration Kit is required)  |
|                                 | <b>OSD Information Display</b>   | Model name, Serial No., Total operating time, Calibration settings (Operating time since last calibration, Luminance, Gamma), Current luminance, Ambient light, DICOM conformance  |
|                                 | <b>USB Hub</b>   | USB Rev.2 compliant, Self-powered<br>USB upstream connector (×1), USB downstream connector (×2)  |
|                                 | <b>Other Features</b>  | Uniformity Equalizer, Hardware pivot, LED indicator, Advanced power management, Human Presence Sensor, Independent Sub-pixel Drive technology, Auto Text Mode, Luminance stabilization, Multiple LUT, Self DICOM check, Self-calibration             |
| <b>Approvals</b>                | ANSI/AAMI ES60601-1 (2005) + A1 (2012), CAN/CSA-C22.2 No. 60601-1 (2014), CE (EN60601-1, EN60601-1-2), RCM, FCC Part15 subpart B Class B, ICES-003-B, VCCI-B, FDA510(k), J-Moss, RoHS, EAC |  |
| <b>Physical Characteristics</b> | <b>Dimensions (W×H×D)</b>  | Landscape : 493.0mm × 451.3 / 546.3mm × 196.5mm<br>Portrait : 361.5mm × 517.0 / 612.0mm × 196.5mm  |
|                                 | <b>Weight</b>  | approx. 9kg  |
|                                 | <b>Tilt Stand</b>  | Tilt, Swivel, Portrait / Landscape   |
|                                 | <b>Mount</b>   | VESA standard (100mm × 100mm)  |
| <b>Accessories</b>              | Power cord, DisplayPort cable, DVI cable, Operation manual, USB cable, Installation manual, Software (QA Medivisor Agent LE)   |  |

### Dimensions (mm)



### Options

#### Calibration Kit CAL-016

- QA and calibration software [QA Medivisor Agent]
- Calibration sensor



#### Safety Precautions

- Please read the user's manual for safe and proper use.
- Do not expose the product to dust, moisture, steam, or oily smoke. It could cause fire, electric shock, or a failure.

Please contact our distributor below with inquiries and orders.

Healthcare Business Division  
JVCKENWOOD Corporation  
3-12, Moriya-cho, Kanagawa-ku, Yokohama-shi, Kanagawa, 221-0022, JAPAN  
TEL: +81-45-450-1908 FAX: +81-45-450-1926  
Email: medical-display.j@jvckenwood.com  
JVC Healthcare Website: <http://healthcare.jvc.com/>

